

Outdoor Furniture

Picnic Tables and Benches



Furniture That Fits®

Outdoor Furniture

Virco's picnic tables and benches are a dependable choice for enjoying outdoor meals in schools, parks, playgrounds, campgrounds, and other public spaces. Constructed with all-steel for strength and finished with a vibrant thermoplastic coating, they keep their bright colors and good looks over time. These tables and benches are a trusted and long-lasting seating option that adds charm and comfort to any outdoor space.

Features

- Portable and surface mounting options
- Expanded metal diamond pattern on tops and seats
- Thermoplastic coated finish for a lasting appearance
- Easy to clean surface in all weather conditions



ODT8
8' rectangular table with bench seats



ODT6
6' rectangular table with bench seats



ODT4R
4' round table with four bench seats



ODT4S
4' square table with four bench seats



ODB8
8' bench seat



ODB6
6' bench seat

 Wheelchair Access Tables



 **ODT6W1**

ADA-Compliant 6' rectangular table with a bench seat on one side and an open-access design on the opposite side to comfortably accommodate a wheelchair.



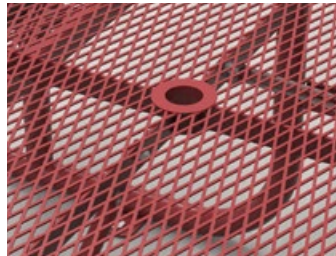
 **ODT8W2**

ADA-Compliant 8' rectangular table with 6' bench seats to accommodate a wheelchair at both ends of the table.

Bench and Table Features



Virco's unique straight outer-cantilever-leg extension design helps prevent table rocking that can occur on typical tables with a radiused outer leg design.



All tables come with a center hole, making it easy to install a patio umbrella. (umbrellas are sold separately)

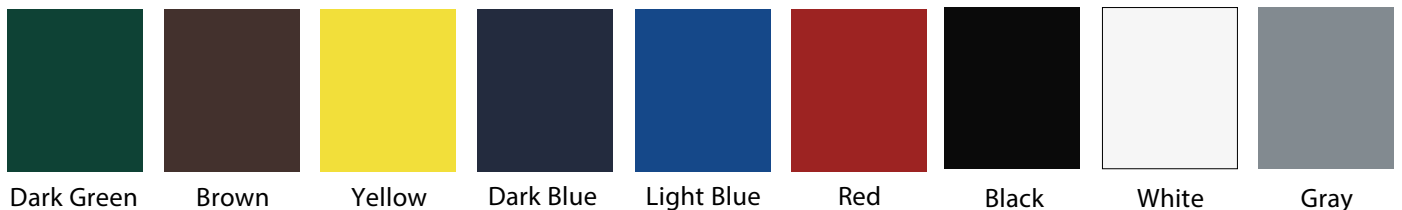


Bench seats feature an innovative bracket design with additional mounting holes, allowing for customizable seat adjustments.



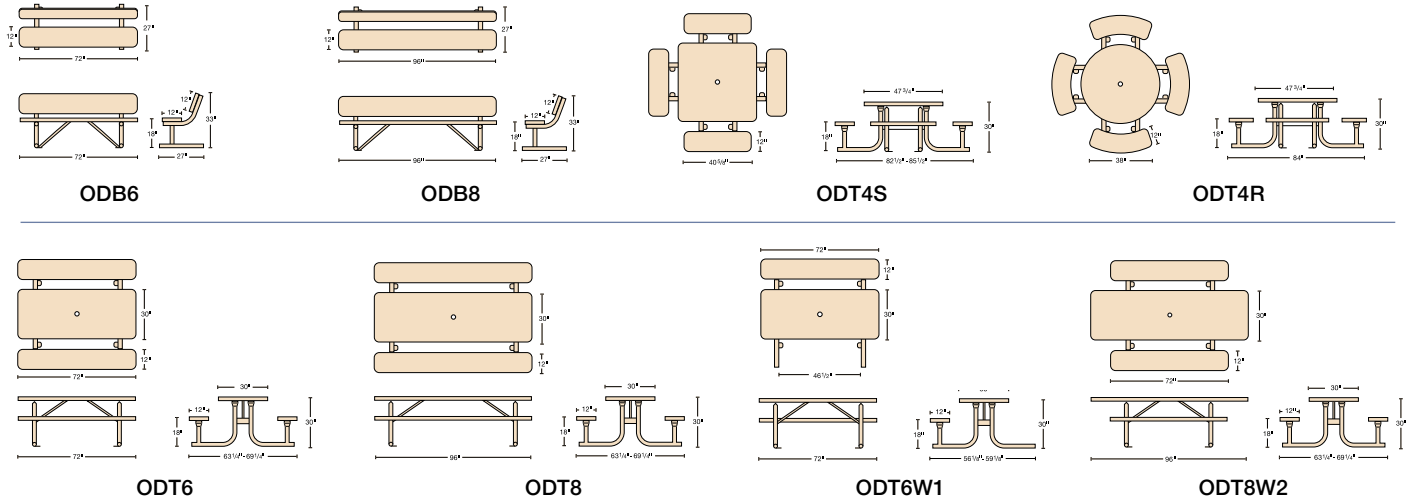
All frames include a welded tab with predrilled holes for surface mounting.

Thermoplastic Color Offering



Dark Green Brown Yellow Dark Blue Light Blue Red Black White Gray

Bench and Table Dimensions



Safe Environments

Virco proudly complies with all laws and governmental regulations affecting our products, including the California Air Resources Board (CARB) regulation on formaldehyde emissions from composite wood products and the federal Consumer Product Safety Improvement Act of 2008 (CPSIA). For information on GREENGUARD indoor air quality certification, ANSI/BIFMA and product warranty information, visit virco.com.



Proudly Supporting American Workers since 1950

One of America's iconic brands, Virco is the country's largest manufacturer and supplier of furniture and equipment for K-12 schools. Many manufacturing processes – from metal fabrication and woodworking, to plastic injection molding, powder coating and chrome plating – are done in-house at our two state-of-the-art facilities in Torrance, California, and Conway, Arkansas.



Virco Inc. • 2027 Harpers Way • Torrance, CA 90501 • 1-800-44-VIRCO • virco.com

Copyright 2026, Virco, all rights reserved. Virco® is registered at the U.S. Patent and Trademark Office. Virco reserves the right to make changes to this product without notice.